

Characteristics

The NAF-Check valve is available in BS, DIN and SS standards in carbon steel, alloy steel and stainless steel. It is also available in ANSI and API standards - see catalogue sheet Fk 30.71GB. Characteristics for the valve type are:

- Suitable for all usable flange standards
- Short face-to-face length - invaluable where space is limited
- Low weight results in low handling costs and ease of installation
- Low pressure drop and low opening pressure
- Fully open with water velocity of only 0.6 m/s - without closing spring
- Excellent tightness, better than demanded in API 598
- Rapid response - oblique seat reduces closing travel
- Can be furnished with auxilliary spring to reduce water hammer in liquid media



CE-marked according to Pressure Equipment Directive (PED 97/23/EG) module H, category III.

Design

The circular wafer body is designed to be clamped between two pipe flanges. A list of the international flange standards to which the valve is adapted is shown on page 8.

The valve disc is suspended on two heavy stub shafts with the selected suspension points giving the fastest closing possible.

The stub shafts are sealed externally by integrally welded plates.

The seat is oblique in order to give a short closing travel and thus a short closing time. NAF-Check can also be supplied with an auxiliary spring. Due to the lightweight disc, the auxiliary spring can shorten closing time further and reduce water hammering to one fourth that obtained using springless valves at quickly returning liquid flow.

In order to facilitate installation, valves >DN 50 are equipped with a lifting eye. An arrow cast into the lifting eye indicates the flow direction.

Face-to-Face Length

According to EN 558-1, Series 16.

Connection

NAF-Check is intended for clamping between flanges and fits most pipe flanges in accordance with DIN, ANSI and BS - see table on page 8.

Test Pressures (Table 1)

Pressure Class PN	Test pressure bar (e), water *	
	open valve	closed valve
100	150	110
40	60	44
25	38	28

*Leakage never exceeds 1 cm³/minute - regardless of connection size - for specified test pressure. Test medium is water.

Applications

NAF-Check can be used in any liquid, gas or vapor which is compatible with the valve itself.

We recommend valves with auxiliary spring for use in liquid flow.

Limitations: See instructions in tables on page 6.

Selection Table (Table 2)

NAF No.	DN	PN	Material
526520	300-1000	25	Steel
526530*	300-1000	25	Steel
526620	40-250	40	Steel
526630*	65-250	40	Steel
526822	65-400	100	Alloy steel
526832*	65-400	100	Alloy steel
528520	300-1000	25	Stainless steel
528530*	300-1000	25	Stainless steel
528620	40-250	40	Stainless steel
528630*	65-250	40	Stainless steel

* Valve with auxiliary spring

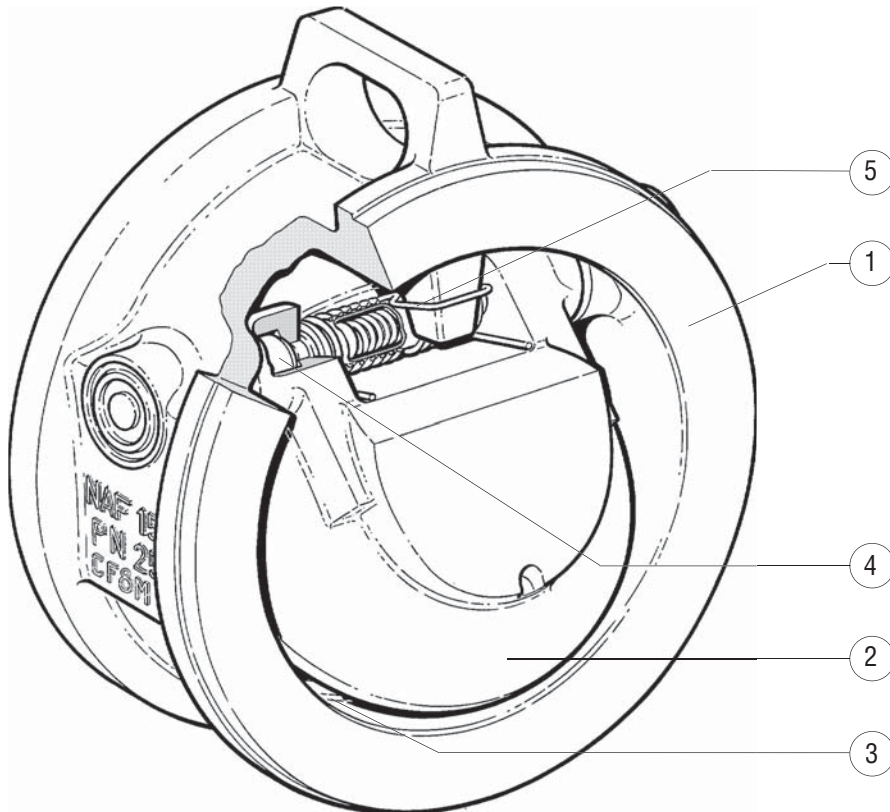
Working Pressures and Temperatures (Table 3)

NAF No.	PN	DN	Max. working pressure, bar (e) at temperatures up to °C											
			20	50	100	150	200	250	300	350	400	450	500	525
526822-32	100	65 -400	100	100	100	100	100	97	91	84	80	75	61	38
526620-30	40	40 -250	36,4	34,7	31,1	28,1	25,8	24	22,6	21,3	-	-	-	-
526520-30	25	300 -1000	25	25	23,3	21,7	19,4	17,8	16,1	15	-	-	-	-
528620-30	40	40 -250	36,4	34,7	31,1	28,1	25,8	24	-	-	-	-	-	-
528520-30	25	300 -1000	22,8	22,8	21,1	19,6	18,3	17,2	-	-	-	-	-	-

Temperature range -30 - 525°C

OBS! Flange Pressure and temperature limits.

Material Specifications



NAF 5265X0, 5266X0 (Table 4)

Item	Qty	Part	Material in standard design
1	1	Body	DN40-50 EN1.4436 DN65-250 EN1.4408 / CF8M DN300-1000 EN1.0619
2	1	Disc	DN40-50 ASTM A487 Gr CA6NM DN65-1000 EN1.4317
3		Sealing surfaces	DN40-250 Directly machined on body and disc DN 300-1000 Body: Deposit-welded, hardened stainless steel. Disc: Direct machined.
4	2	Stub shafts	ASTMA276 type 410
5	1	Spring	EN1.4568 / ASTMA564 type 635

NAF 526822, 526632 (Table 5)

Item	Qty	Part	Material in standard design
1	1	Body	EN1.7357 / (WC6)
2	1	Disc	EN1.7357 / (WC6)
3		Sealing surfaces	Body: Deposit-welded, hardened stainless steel. Disc: Deposit-welded Alloy 6
4	2	Stub shafts	ASTMA276 type 410
5	1	Spring	EN1.4568 / ASTMA564 type 635

NAF 5285X0, 5286X0 (Table 6)

Item	Qty	Part	Material in standard design
1	1	Body	DN40-50 EN1.4436 DN65-1000 EN1.4408 / CF8M
2	1	Disc	EN1.4470
3		Sealing surfaces	Machined directly in body and disc.
4	2	Stub shafts	EN1.4460
5	1	Spring	EN1.4568 / ASTMA564 type 635

Selection of Valve Size and Pressure Drop

In pipes with steam or gases (compressible media) it is important to check that the valve is fully open and the disc thus pressed against the stop at all normal operating conditions. This in order to avoid disc flutter giving noise and shorter valve life.

The dynamic opening force on the disc depends on density of the medium and flow velocity in the pipe. Use the diagram in fig. 1. Set the value of ρxv^2 on the horizontal axis and check the curves.

Depending on installation position, the valve without auxiliary spring is fully open if the value ρxv^2 on the horizontal axis is larger than 200 (point 2-E) in a vertical pipe, or 400 (point 2-C) in a horizontal pipe. Select a smaller size if the valve is not fully open.

Valves with auxiliary spring, which we only recommend for use in liquids - at the risk of water hammer - the corresponding values are 880 (point 1-D) and 1000 (point 1-B). Read the pressure drop across fully open valve on the vertical axis and at the intersection of the straight line "Fully open valve". The pressure drop is larger if the valve is not fully open (follow resp. line regarding pipe and spring).

The curves in fig. 1 represent sizes up to DN 250. The pressure drop is lower for larger sizes. Reduce the diagram pressure drop values with following factors:

DN 300 - 350	factor 0.89
DN 400 - 700	factor 0.83
DN 750 - 1000	factor 0.78

With flow rate - in water - known in m^3/h the pressure drop across the valve can be read directly in the diagram - fig. 2.

Pressure drop

m wC

* Select the density for present pressure and temperature before the valve

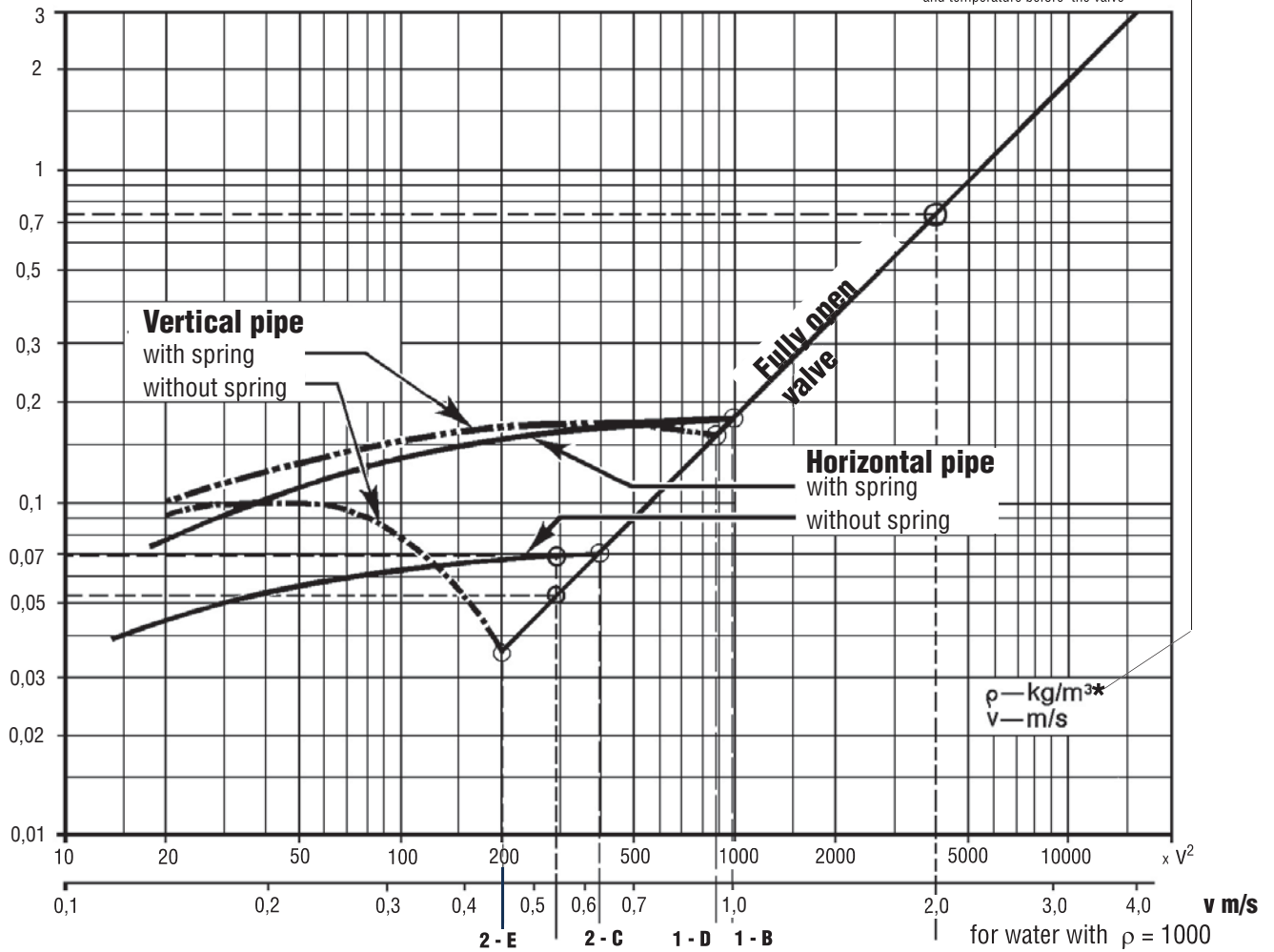


Fig. 1

Example 2

Example 1

Example 1. Water

Flow velocity 2 m/s
 $\rho \times v^2 = 1000 \times 2^2 = 4000$
 Pressure drop 0,73 m wC
Select valve with auxiliary spring

2. Air

Density $\rho = 1,3 \text{ kg/m}^3$
 Flow velocity 15 m/s
 $\rho \times v^2 = 1,3 \times 15^2 = 1,3 \times 225 = 292$
 a) Vertical pipe the valve is fully open. Pressure drop 0,052 m wC

b) Horizontal pipe
 The valve is not fully open - **risk of flutter.**
Select a smaller valve!
 (Pressure drop 0,07 m wC)

Pressure drop - capacity

m WC

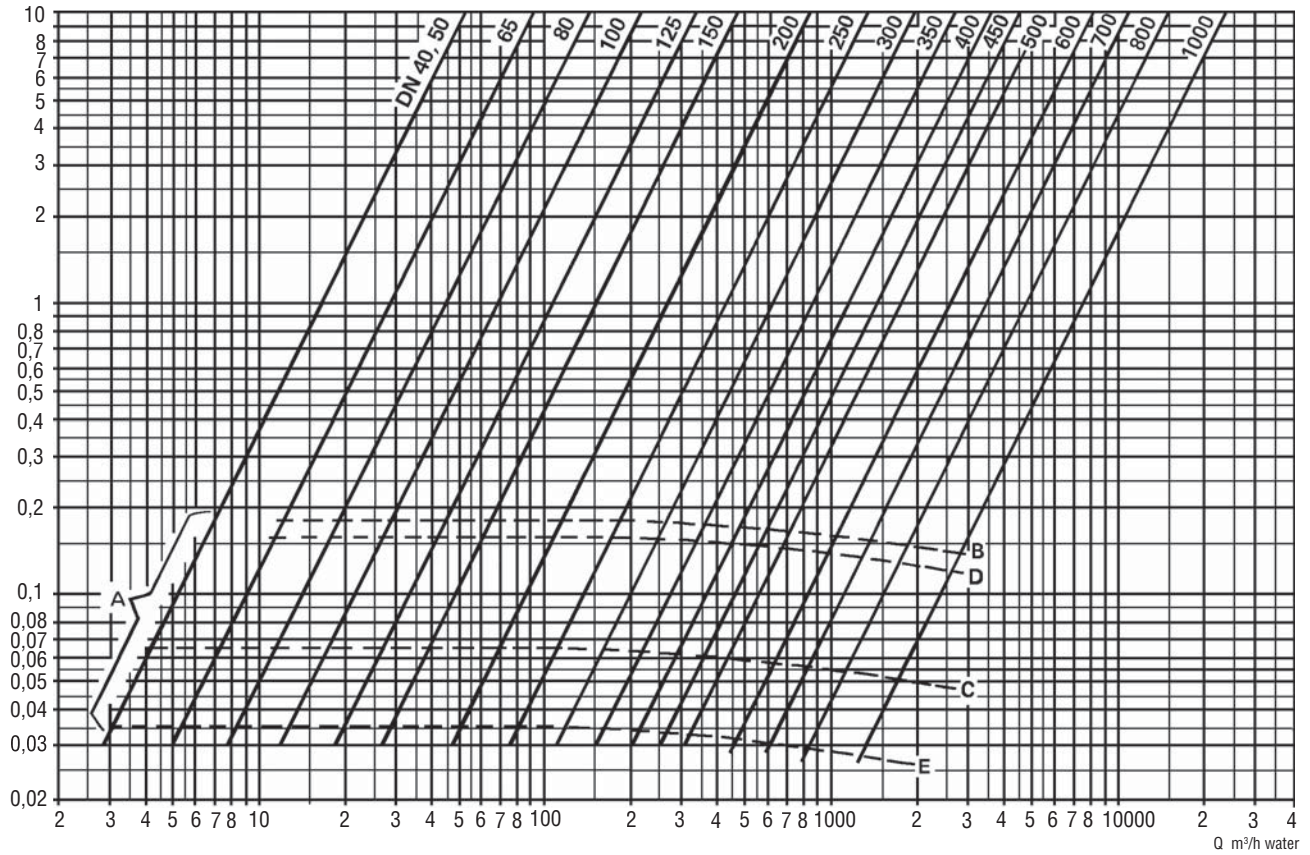
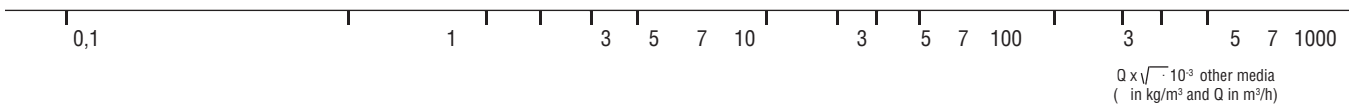


Figure 2



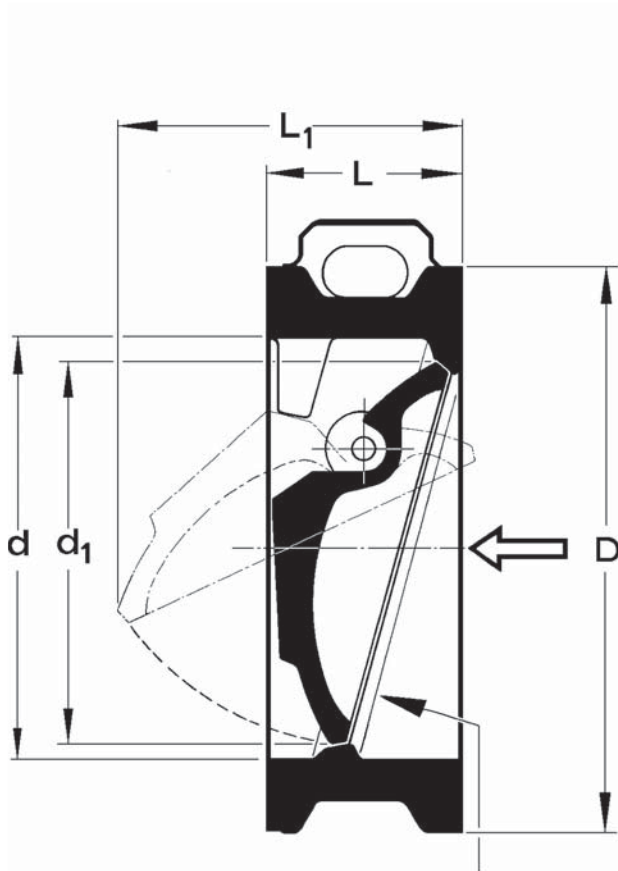
- A.** Before the valve is fully open, the pressure drop across it exceeds the value shown - see fig. 1.
- B.** Valve fully open - with spring-assisted disc and as fitted in a horizontal pipe.
- C.** Valve fully open - without spring-assistance and as fitted in a horizontal pipe.
- D.** Valve fully open - with spring-assisted disc and as fitted in a vertical pipe.
- E.** Valve fully open - without spring-assistance and as fitted in a vertical pipe.

Limitations

Caution should be exercised in certain application areas. These are:

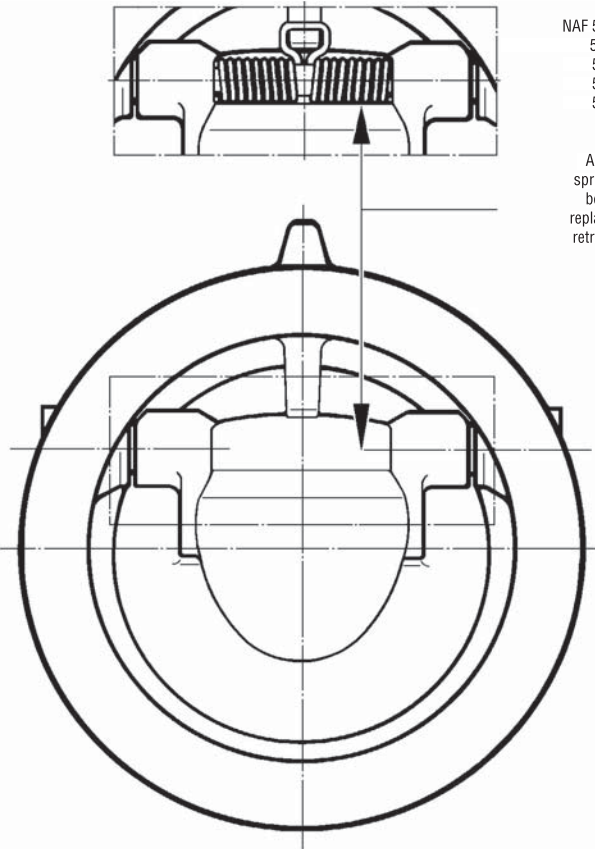
- 1.** Small, pulsating gas flows such as are emitted from a piston compressor. The valve selected in such cases shall be small enough to open fully during normal operations, thus preventing flutter.
- 2.** Low-pressure gases. The opening dynamic force is affected by density. Make certain that velocity and density are adequate to open the valve - fig. 1.
- 3.** Location on suction side of centrifugal pumps. Place the check-valve on the delivery side to avoid starting and cavitation problems.
- 4.** Pumps in parallel. Make certain that pump characteristic fall the entire flow range.

Dimensions and Mass



Oblique seat results in short closing swing
(DN 40 and DN 50 have straight seats)

Figur 3



NAF 526530
526630
526832
528530
528630

Auxiliary spring can be easily replaced or retro-fitted

NAF 526520/30
526822/32
528520/30
526620/30
528620/30

Installation

The NAF-Check valve can be installed in vertical or horizontal pipes. Flow direction in vertical pipes must be upwards. Detailed installation instructions - Fi 30.79A - are supplied with each valve.

(Table 7) dimensions in mm

DN	d	d ₁ [*]	D	L	L ₁	Mass kg
NAF 526620/30, 528620/30						
40	50	37	84	33	48	1,2
50	50	37	92	43	48	1,7
65	65	54	108	46	58	1,7
80	80	64	128	64	80	3
100	100	90	158	64	90	5
125	125	110	180	70	106	7
150	150	140	203	76	127	9
200	196	185	263	89	160	16
250	250	234	315	114	204	28
NAF 526520/30, 528520/30						
300	300	286	370	114	239	41
350	350	328	432	127	273	48
400	400	376	480	140	315	65
450	450	420	530	152	340	94
500	500	466	592	152	380	115
600	600	564	692	178	460	192
700	700	656	804	229	530	270
800	800	750	911	241	615	402
1000	1000	930	1124	300	758	782

(Table 8) dimensions in mm

DN	d	d ₁ [*]	D	L	L ₁	Mass kg
NAF 526822/32						
65	65	54	125	46	58	3
80	80	64	138	64	80	4
100	100	90	158	64	90	5
125	125	115	188	70	109	9
150	150	140	222	76	128	11
200	196	188	275	89	162	23
250	250	238	335	114	207	45
300	300	294	394	114	245	57
350	350	324	435	127	278	75
400	400	378	490	140	317	98

* Minimum internal diameter of pipe

Ordering Example

When ordering, please state the NAF-number, DN - and valve type, e.g. as follows:
NAF 526620, DN 200, NAF-Check check valve.

Connection - Standard Sizes

NAF-Check is available to fit the majority of standard flanges. In the tables below we have stated the fitting of connections to different standards.

"x" indicates that the connection fits.

"—" indicates that this connection is not available to present standard.

"T" indicates that the internal diameter of the pipe flange must be checked by the purchaser. The diameter must not be less than d_1 as shown in the table on page 7.

"ø" indicates use of 29" flanges.

"□" indicates use of 33" flanges."

"." indicates use of 39" flanges.

See also Fk 30.71GB, describing NAF-Check according to API 594, ANSI B 16,5 Class 150-300.

NAF 526620/30 and 528620/30 (Table 9)

DN	DIN				ANSI		BS10 table	BS 4504:1969 table	
	PN10 2632	PN16 2633	PN25 2634	PN40 2635	Slip on 150, 300	Weld neck 150, 300	E, F H	10/2, 16/2 25/2, 40/2	10/5, 16/5 25/5, 40/5
40	x	x	x	x	x	x	x	x	x
50	x	x	x	x	x	x	x	x	x
65	x	x	x	x	-	x	x	x	x
80	x	x	x	x	-	x	x	x	x
100	x	x	x	x	-	x	x	x	x
125	x	x	x	x	-	x	x	x	x
150	x	x	x	x	-	x	x	x	x
200	x	x	x	x	-	x	x	x	x
250	x	x	x	x	-	x	x	x	x

NAF 526520/30 and 528520/30 (Table 10)

DN	DIN SS			ANSI Slip on, Weld neck 150 lb/sqin	ANSI 125 to B16.1	BS10 Table E, F	BS 4504:1969 Table						
	PN 10 2632 2032	PN 16 2633 2033	PN 25 2634 2034				Weld neck			Slip on			
							10/2	16/2	25/2	10/5	16/5	25/5	
300	x	x	x	x	-	x	x	x	x	x	x	x	x
350	x	x	x	xT	-	x	x	x	x	-	-	-	-
400	x	x	x	xT	-	x	x	x	x	-	-	-	-
450	x	x	x	xT	-	x	-	-	-	-	-	-	-
500	x	x	x	xT	-	x	x	x	x	-	-	-	-
600	x	x	x	xT	-	x	x	x	x	-	-	-	-
700	x	x	x	-	-	ø	x	x	x	-	-	-	-
800	x	x	x	-	-	□	x	x	x	-	-	-	-
1000	x	x	x	-	-	-	x	x	x	-	-	-	-

NAF 526822/32 (Table 11)

DN	DIN SS			ANSI Slip on 300,400, 600	ANSI Weld neck 300, 400, 600			BS10 Table H, J K, R	BS 4504:1969 Table			
	PN 40 2635 2035	PN 64 2636 2036	PN 100 2637 2037		Weld neck				Slip on 40/5			
					40/2	64/2	100/2					
65	x	x	x	x	x	x	xT	x	x	x	x	x
80	x	x	x	x	x	x	xT	x	x	x	x	x
100	x	x	x	x	x	x	xT	x	x	x	x	x
125	x	x	x	x	x	x	xT	x	x	x	x	x
150	x	x	x	x	x	x	xT	x	x	x	x	x
200	x	x	x	x	x	x	xT	x	x	x	x	x
250	x	x	x	x	x	xT	xT	x	x	x	x	x
300	x	x	x	x	x	xT	xT	x	x	x	x	x
350	x	x	x	x	xT	xT	xT	x	x	x	x	-
400	x	x	-	x	xT	xT	xT	x	x	x	-	-

