

## Primary characteristics

The NAF Y-pattern check valves are made entirely of stainless steel and are particularly well suited for process industries such as the cellulose industry, petro-chemical industry, food industry and wherever great importance is attached to corrosion resistance and reliability.

- Low pressure drop
- Spring-loaded disc
- Tapered seats
- The seats are directly directly machined in body materials

## Design

Precisions-cast Y-pattern check valve with spring-loaded disc; disc guiding in valve cap; seats integral with body and disc. For DN above 25 see NAF 528520/528620, datasheet Fk 30.70.

## Applications

Standard packing is suitable for most acids and alkalines encountered in chemical and process industries (including oil service) up to 250°C. The valves can be used on steam lines provided that flow is relatively constant - no rapid fluctuations - and that minimum flow does not fall below 20% of maximum flow. Wherever possible the valve should be installed horizontally.

## Connections

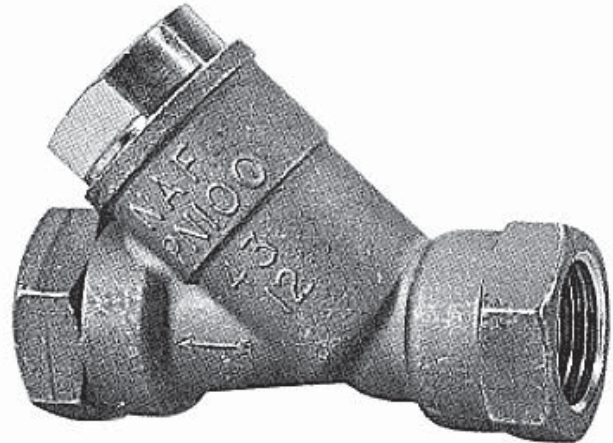
Female screwed ends to R

## Working pressures and temperatures (Table 1)

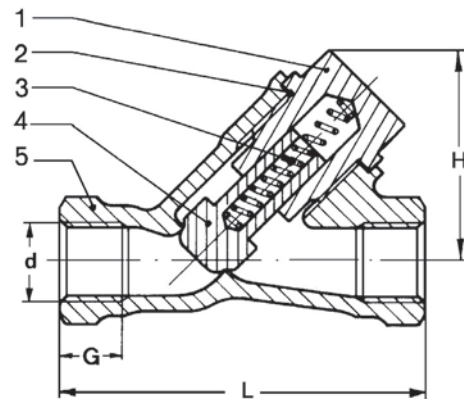
NAF No.	Pressure Class	Max. temperature °C	
		150	250
		Max. pressure, bar (e)	
518800	PN 100	100	80

## Test pressure

Valve closed: 1.1 x PN  
Valve open: 1.5 x PN, medium water



NAF 518800



(Table 2)

DN	d	Bore	G	L	H	Z factor <sup>1)</sup>	Mass kg
8	R1/4"	12	13	75	45	1,0	0,3
10	R3/8"	12	14	75	45	1,5	0,3
15	R1/2"	12	18	75	45	6,5	0,3
20	R3/4"	22	19	90	60	1,0	0,8
25	R1"	22	23	100	60	2,5	1,3

Dimensions in mm unless otherwise indicated.  
1) Fully open valve  
For DN >25, see datasheet Fk 30.70

## Materials (Table 3)

Item No.	Part	Material
1	Bonnet	Stainless steel EN 1.4436
2*	Gasket	PTFE
3*	Spring	Stainless steel EN 1.4436
4*	Disc Sealing surface	Stainless steel EN 1.4436 Directly machined in body
5	Body Sealing surface	Stainless steel EN 1.4436 Directly machined in body

\* Recommended spare parts. When ordering spare parts use the designation given in the parts list above. State also NAF No., DN and "Part No." as stated on the legend plate.

## Ordering example

When ordering, please state NAF No., DN (size) and valve type. For example:  
NAF 518800, DN 25, Y-pattern check valve



[www.valve.co.za](http://www.valve.co.za)

---

Johannesburg	Tel	: 011-397 2833
	Fax	: 011-397 4700
	E-mail	: <a href="mailto:sales.jhb@valve.co.za">sales.jhb@valve.co.za</a>
Durban	Tel	: 031-579 2593
	Fax	: 031-579 2562
	E-mail	: <a href="mailto:sales@valve.co.za">sales@valve.co.za</a>